

AIR DATA ACCESSORIES KIT
MODEL No. ADA777-612
BOEING 777 AIRCRAFT



AIR DATA ACCESSORIES KIT MODEL No. ADA777-612 BOEING 777 AIRCRAFT

- Proprietary Information -

This kit contains all the equipment required to test from source the complete pitot and static air data system on the Boeing 777 aircraft, as well as the means of pre-testing all adaptors and hoses prior to being fitted to the aircraft.

Pitot Test Adaptor

Part No. P77796HT-3 (3 req'd)

This unit fits the pitot probe 856 LU located on the nose of the aircraft and when installed will test each system separately or simultaneously.

Pre-Test Probe

Part No. PT17779 (3 req'd.)

When it becomes necessary to test the integrity of the pitot adaptors and/or hoses and test set these units are installed into the pitot adaptors thus simulating the pitot head.

Static Test Adaptor

Part No. 33410LH-125-4 (6 req'd.)

There are six of these units supplied with the kit. To install, depress plunger into centre hole and release plunger. A slight rotating motion in each direction ensures a good seal. This unit is self-sealing, locking, aligning and testing as the protective cap on the mandrel doubles as a pre-test unit.

When using as a blanking adaptor, ensure that the blanking cap is tightened before installation. The first dash number identifies the size of hole in the centre of the static vent and the last dash number identifies the fitting size (-4 indicates 1/4" hose size).

Pressurization Port Test Adaptor

Part No. 33410MC-125-4 (1 req'd.)

This unit is stowed in the case.

Pitot Test Hose Assembly

Part No. 777-133 (3 req'd.)

Three of these assemblies are included in the kit and are connected to the pitot adaptor from the designated outlet on the control console and may be selected as required. Hoses are colour coded at each end.

Pitot Input Test Hose Assembly

Part No. 757-214 (1 req'd.)

This assembly is used to connect the pitot outlet of the pneumatic generator to the pitot inlet located on the right hand side of the top panel of the control console.

Static Test Hose Assembly

Part No. 767-212 (2 req'd.)

Two of these assemblies are supplied with the kit. A 33410LH-125-4 test adaptor is attached to each hose assembly for convenience of use. The adaptors to blank off opposite static vent being stowed in the case cover.

Static Input Test Hose Assembly

Part No. 767-111 (1 req'd.)

This assembly is used to connect the alternate static and left and right D.A.D.C. connections to a source of vacuum (or pressure) should it become necessary to test lines of these systems simultaneously.

October 19, 2020



AIR DATA ACCESSORIES KIT MODEL No. ADA777-612 BOEING 777 AIRCRAFT

- Proprietary Information -

Alternate Static Test Hose Assembly

Part No. 767-105 (1 req'd.)

The hose is connected to the alternate static outlet on the control box and is supplied with its own separate vacuum source that can be shut off from the front of the panel. The 33410LH-125-4 adaptor is connected thereto and the adaptor to blank off the opposite side of the aircraft is stowed in the case cover.

Vacu-Grip Assembly

Part No. 421-8971 (1 req'd.)

One of these units is supplied with each kit to provide a means of support for static system test hose assemblies.

Pitot & Static Selector Console

Part No. 421-777 (1 req'd.)

This unit contains all necessary inlets and outlets required to connect the pneumatic generator and the adaptors and hoses to the aircraft sensing system. An instant acting control valve is supplied for each outlet.

These valves are shut off when the handle is in the vertical position. The static systems input and output connections and control valves are located on the left side panel whilst the pitot system connection and control valves are located on the right side. All inlets etc. are identified on the photo etched panel.

A facility for testing two pairs of static adaptors simultaneously is provided on the top panel. The hoses connected to console and adaptors are colour coded at each end for easy system identification.

Lubricating Fluid

Part No. LF5050 (1 req'd.)

This fluid is used to lubricate the glands of the pitot & dual static and pitot static test adaptors.

Only a very small amount is needed to lubricate the adaptor's interior glands before installing the adaptors onto the aircraft probes.

This process will help to prolong the life of the seals as well as facilitate a smooth installation of the applicable adaptor onto the corresponding aircraft probe.

Using only 1 or 2 drops, apply a thin film coating onto the surface of the applicable Pre-Test Probe(s).

Then, while using a slight CW/CCW rotation, insert the Pre-Test Probe into the adaptor when setting-up for the 'Pre-Test' stage of the ADTU before hooking up to the aircraft's probes.

WARNING: Nav-Aids Ltd. ® P/N LF5050, Lubricating Fluid, is the only approved lubricant for this purpose. The use of any other substance may very well have adverse effects that could contribute to a Flight Safety Hazard.

Seal Kit -Part No. SK796HT (3 req'd.)

Three sets of spare seals (high temp) for pitot adaptor - P/N P77796HT-3 are stowed in the case.

Seal - Part No. 334-7 (3 req'd.)

Three spare seals for static adaptors - P/N 33410LH-125-4 are stowed in the case.

Manual

Part No. 444-777-612

One manual is supplied with each kit.

The equipment is enclosed in case assembly Model No. **NANUK960-777-612**

October 19, 2020



**AIR DATA ACCESSORIES KIT
MODEL No. ADA777-612
BOEING 777 AIRCRAFT**

- Proprietary Information -

Customer Support

For information or to order replacement parts for this kit or for other types of aircraft, please contact us:

**Nav-Aids Ltd.
2955 Diab Street
Montreal, QC.
H4S 1M1
Canada**

**Tel: 514 332-3077
Toll Free: 877-332-3055
Fax: 514 332-6711**

E-mail: info@navaidsltd.net

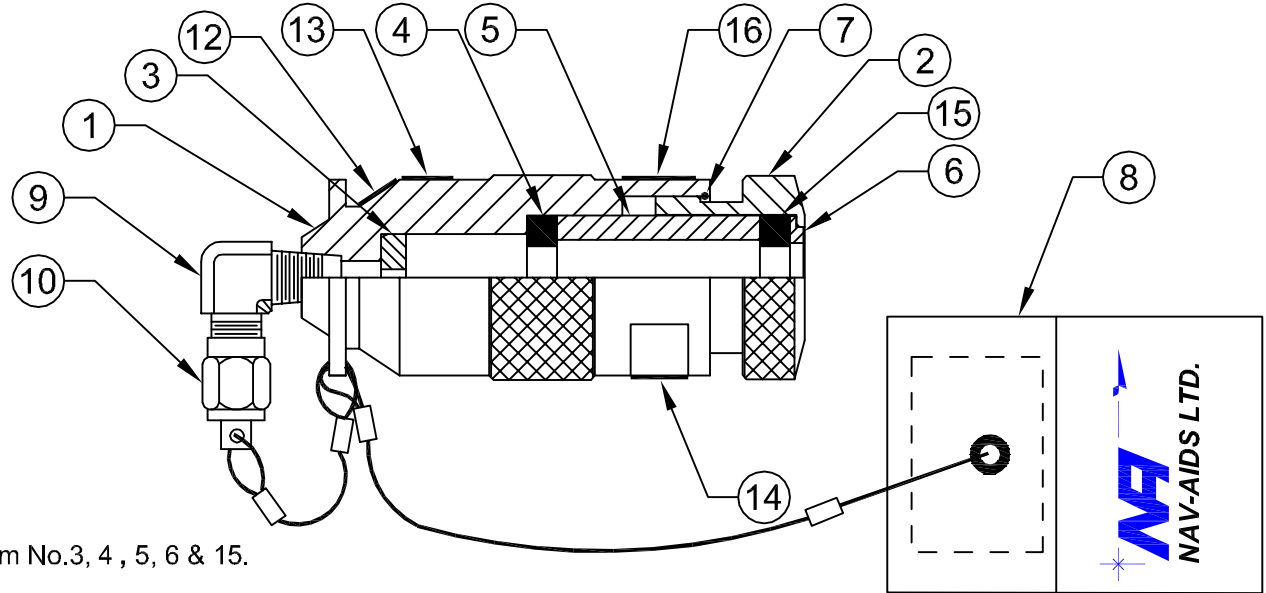
Website: www.navaidsltd.net

PROPRIETARY DOCUMENT



Revision History

Rev.	Description	Date	Approved By
02	Item #10 P/N change - Item #16 added.	June 9, 2006	J.D.G.
03	SK & SSK Item No. added.	Oct. 13, 2006	J.D.G.
04	Item No. 9, Part Number revised.	Mar. 28, 2017	B.D.G.



Notes:

- Seal Kit P/N. **SK796HT** -consists of Item No. 4 & 15
- Seal And Spacer Kit P/N. **SSK796HT** -consists of Item No.3, 4 , 5, 6 & 15.
- Dimensions are in inches.

16	1	796-162	Label , Instruction
15	1	796-7HT	Gland (0.650 x 0.940 x 0.250)
14	1	796-161	Label , Warning
13	1	796-151	Label , Identification
12	1	796-141	Label , PITOT
10	1	AN929-A3D	Blanking Cap Assembly
9	1	NAEF-3	Elbow Fitting
8	1	796-111	Streamer Assembly
7	1	796-171	Circlip
6	1	796-6HT	Collar
5	1	796-5HT	Spacer
4	1	796-4HT	Gland (0.500 x 0.940 x 0.210)
3	1	796-3HT	Snubber
Item No.	Qty.	Part Number	Description

2	1	796-2	Compression Nut
1	1	796-1	Body
Item No.	Qty.	Part Number	Description



2955 DIAB
Montreal, Quebec
CANADA H4S 1M1

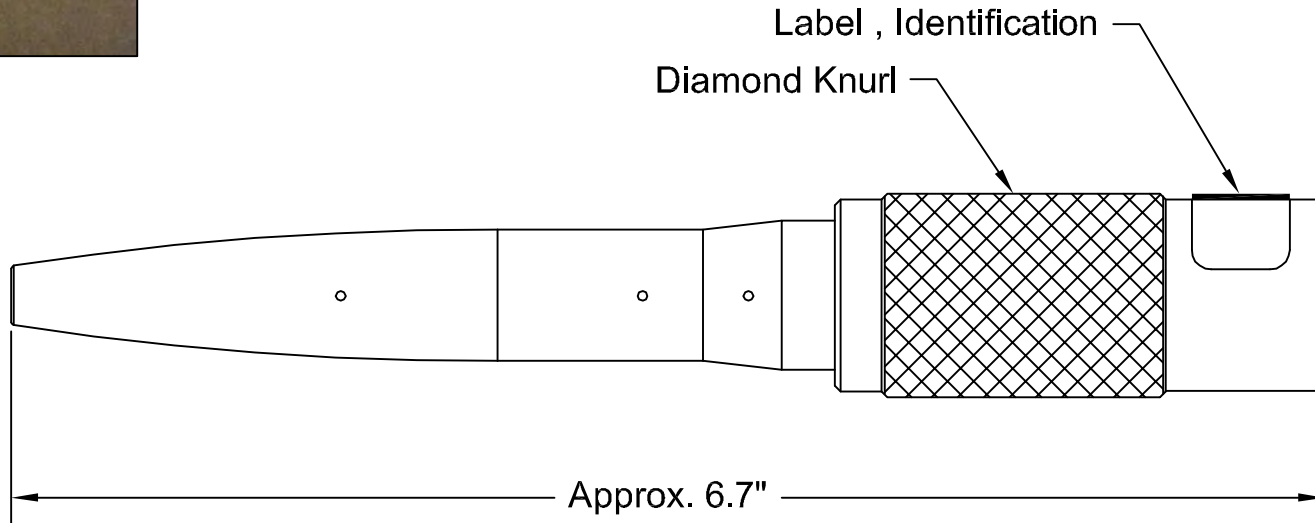
PITOT TEST ADAPTOR

Size	CAGE Code	Checked By	Approved By	Date	Part Number	Rev. No.
A	38002	G.H.	J.D.G.	March, 1996	P77796HT-3	04

PROPRIETARY DOCUMENT



Revision History			
Rev.	Description	Date	Approved By
01	Title block revised and redrawn.	July 7, 2005	J.D.G.
02	Title block revised, Photo and length change.	Sept 7, 2008	B.D.G.

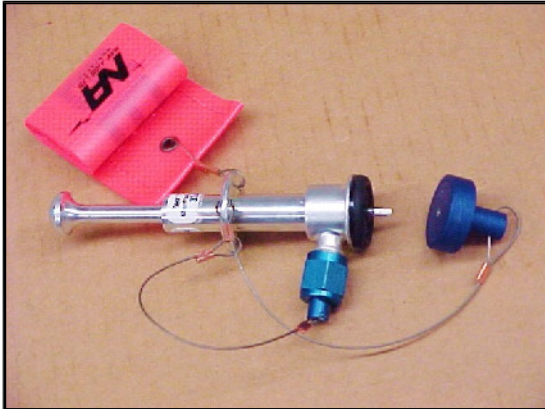


2955 DIAB
Montreal, Quebec
CANADA H4S 1M1

Note:
Dimensions are in inches.

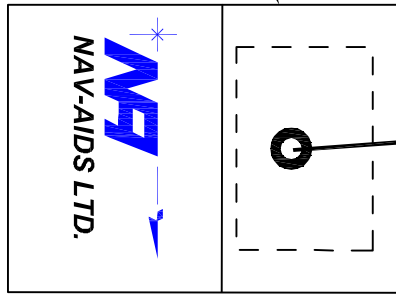
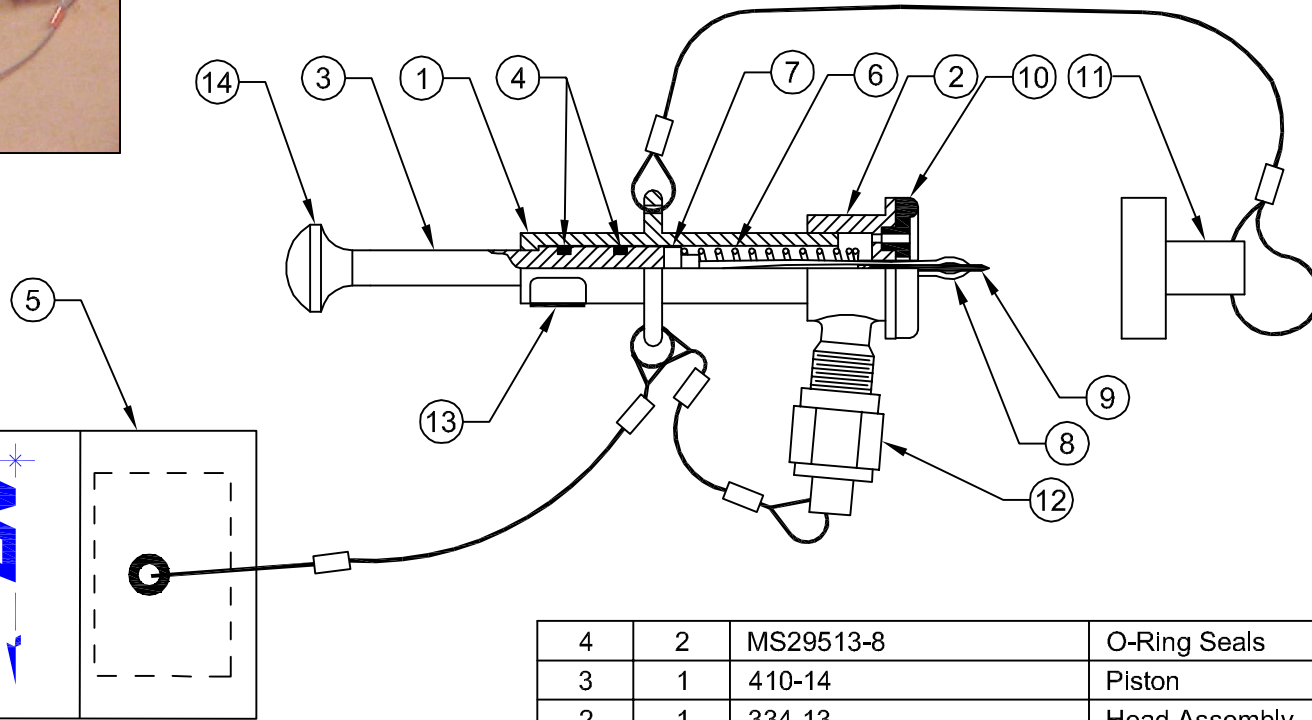
PRE-TEST PROBE						
Size	CAGE Code	Checked By	Approved By	Date	Part Number	Rev. No.
A	38002	G.H.	J.D.G.	March, 1996	PT17779	02

PROPRIETARY DOCUMENT



Revision History

Rev.	Description	Date	Approved By
02	Title block revised and redrawn.	Feb. 20, 2006	J.D.G.
03	Item No. 13, Part Number 334-20 revised .	Oct. 27, 2016	B.D.G.



4	2	MS29513-8	O-Ring Seals
3	1	410-14	Piston
2	1	334-13	Head Assembly
1	1	410-11	Body Assembly
Item No.	Qty.	Part Number	Description

14	1	334-2	Button
13	1	LH-125-4-92	Label , Identification
12	1	AN929-A4D	Blanking Cap Assembly
11	1	334-53	Protector Assembly
10	1	334-7	Seal
9	1	334-33	Guide
8	1	334-23	Jaw Assembly
7	1	410-17	Nut
6	1	410-16	Spring
5	1	410-19	Streamer Assembly
Item No.	Qty.	Part Number	Description

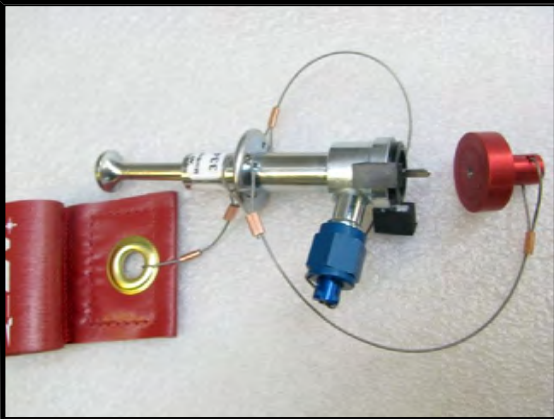


2955 DIAB
Montreal, Quebec
CANADA H4S 1M1

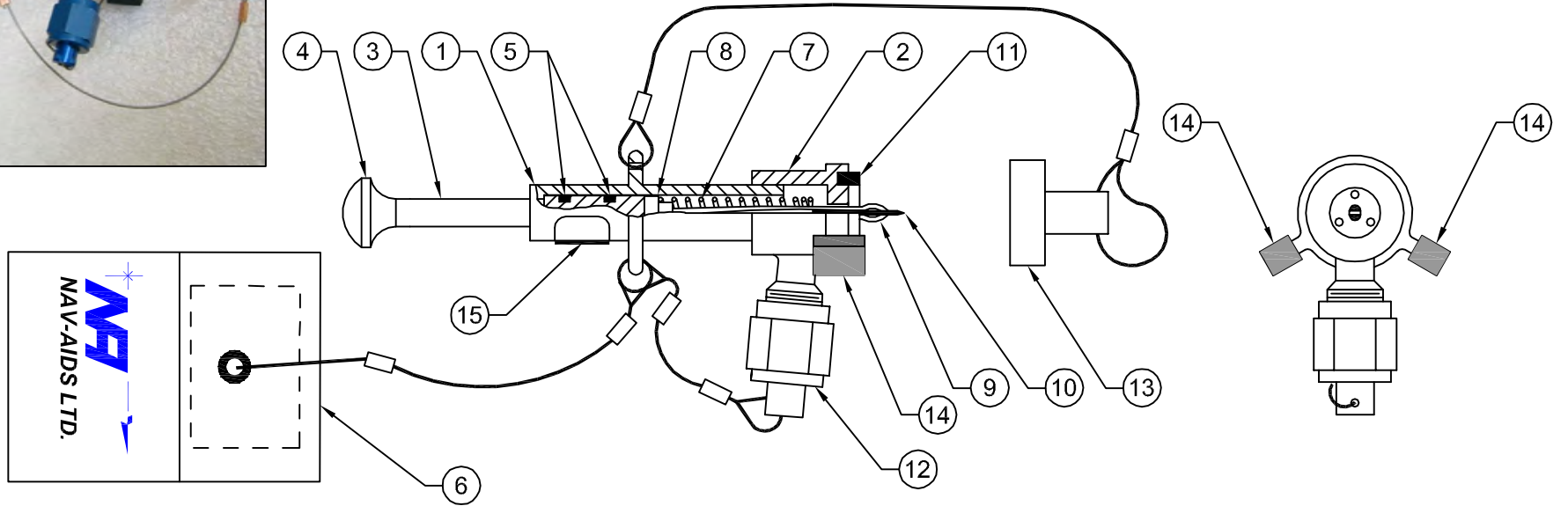
STATIC TEST ADAPTOR

Size	CAGE Code	Checked By	Approved By	Date	Part Number	Rev. No.
A	38002	G.H.	J.D.G.	Dec. 1968	33410LH-125-4	03

PROPRIETARY DOCUMENT



Revision History			
Rev.	Description	Date	Approved By
02	Title block revised and redrawn.	April 3, 2006	J.D.G.
03	Photo and Item No. 11 Part No. updated.	Jan. 22, 2013	B.D.G.



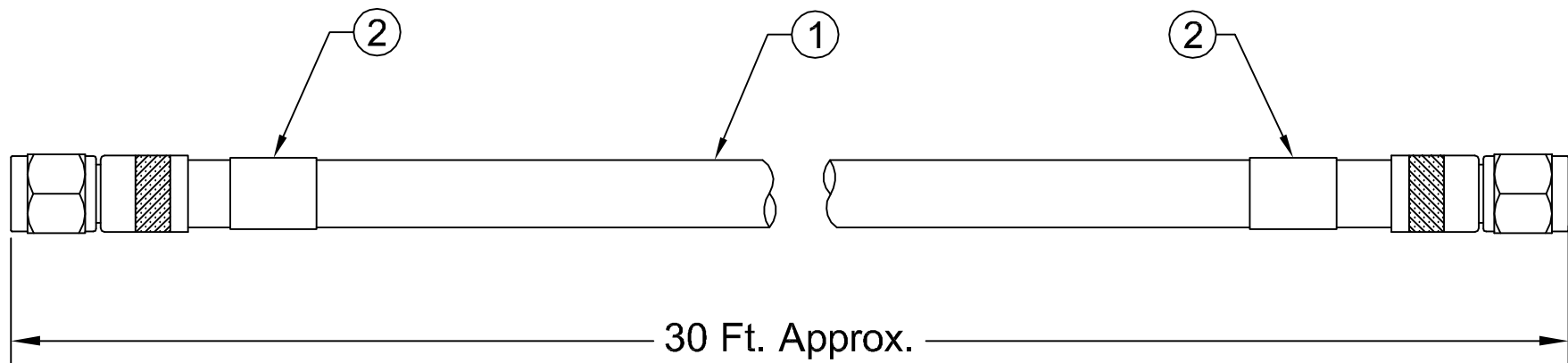
15	1	521-101-MC	Label , Identification
14	2	521-LB-MC	Rubber Pad
13	1	521-125-25-MC	Protector Assembly
12	1	AN929-A4D	Blanking Cap Assembly
11	1	521-7MC	Seal
10	1	521-125-20-MC	Guide
9	1	521-125-18-MC	Jaw Assembly
8	1	521-17-MC	Nut
7	1	410-16B-MC	Spring
6	1	521-19-MC	Streamer Assembly
5	2	MS29513-8	"O" Ring Seals
Item No.	Qty.	Part Number	Description

4	1	521-15-MC	Button			
3	1	521-14-MC	Piston			
2	1	521-12-MC	Head			
1	1	521-11-MC	Body			
		2955 DIAB Montreal, Quebec CANADA H4S 1M1				
STATIC TEST ADAPTOR PRESSURIZATION PORT						
Size	CAGE Code	Checked By	Approved By	Date	Part Number	Rev. No.
A	38002	G.H.	J.D.G.	Feb., 1992	33410MC-125-4	03

PROPRIETARY DOCUMENT

Revision History

Rev.	Description	Date	Approved By
01	Title block revised and redrawn.	July 27, 2005	J.D.G.
02	Title block revised and redrawn.	Mar. 30, 2006	J.D.G.
03	Item No. 1, Part Number revised and Hose Fittings incorporated into Hose Assembly.	June 25, 2015	B.D.G.



2	2	WSLM33	Label , Identification
1	1	NAHA-3-360	Hose Assembly
Item No.	Qty.	Part Number	Description



2955 DIAB
Montreal, Quebec
CANADA H4S 1M1

Note:
Last digits of Hose Assembly Part Number designates length of hose in inches.

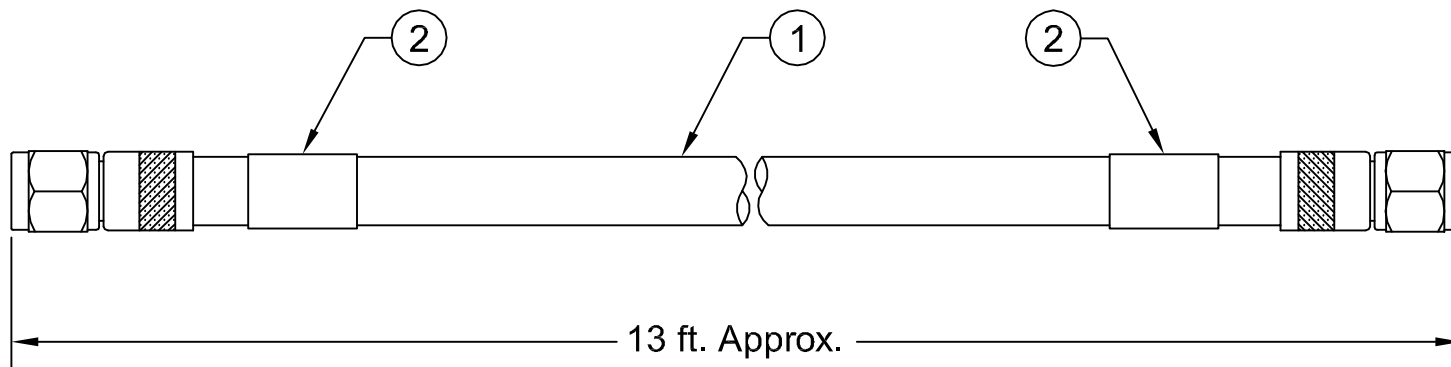
PITOT TEST HOSE ASSEMBLY

Size	CAGE Code	Checked By	Approved By	Date	Part Number	Rev. No.
A	38002	G.H.	J.D.G.	Sept., 1993	777-133	03

PROPRIETARY DOCUMENT

Revision History

Rev.	Description	Date	Approved By
01	Title block revised and redrawn.	April 19, 2005	J.D.G.
02	Title block revised and redrawn.	April 3, 2006	J.D.G.
03	Item No. 1, Part Number revised and Hose Fittings incorporated into Hose Assembly.	May 28, 2015	B.D.G.



2	2	WSLM33	Label , Identification
1	1	NAHA-4-156	Hose Assembly
Item No.	Qty.	Part Number	Description



2955 DIAB
Montreal, Quebec
CANADA H4S 1M1

PITOT INPUT TEST HOSE ASSEMBLY

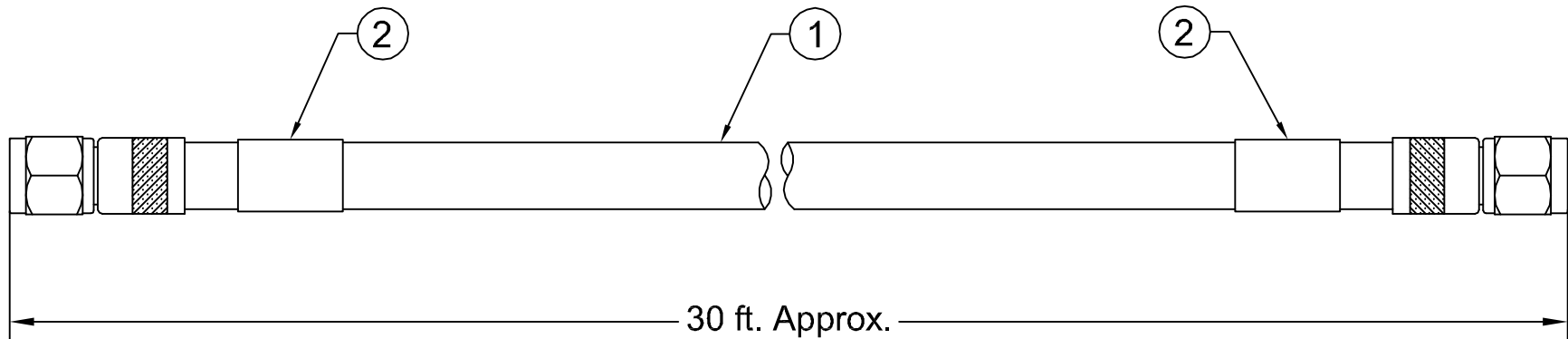
Size	CAGE Code	Checked By	Approved By	Date	Part Number	Rev. No.
A	38002	G.H.	J.D.G.	Sept., 1993	757-214	03

Note:
Last digits of Hose Assembly Part Number designates length of hose in inches.

PROPRIETARY DOCUMENT

Revision History

Rev.	Description	Date	Approved By
01	Title block revised and redrawn.	April 21, 2005	J.D.G.
02	Removed quantity required per kit in B.O.M.	July 27, 2005	J.D.G.
03	Revised Title Block and Notes.	April 3, 2006	J.D.G.
04	Title Block revised, Drawing name change.	Feb. 21, 2008	J.D.G.
05	Item No. 1, Part Number revised and Hose Fittings incorporated to Hose Assembly.	May. 28, 2015	B.D.G.



2	2	WSLM33	Label , Identification
1	1	NAHA-4-360	Hose Assembly
Item No.	Qty.	Part Number	Description



2955 DIAB
Montreal, Quebec
CANADA H4S 1M1

STATIC TEST HOSE ASSEMBLY

Size	CAGE Code	Checked By	Approved By	Date	Part Number	Rev. No.
A	38002	G.H.	J.D.G.	Sept., 1993	767-212	05

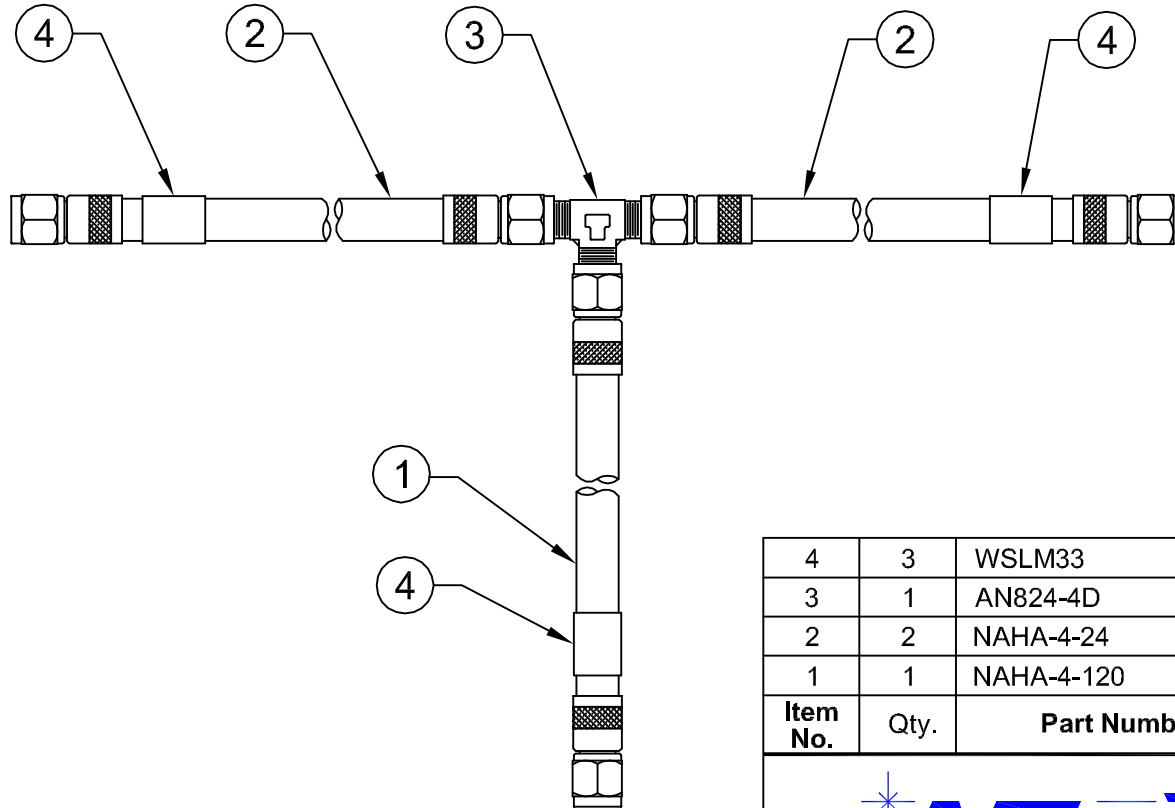
Notes:

- Static Adaptor P/N. 33410LH-125-4 must be used with Static Hose Assembly P/N 767-212.
- Last digits of Hose Assembly part number designates length of hose in inches.

PROPRIETARY DOCUMENT

Revision History

Rev.	Description	Date	Approved By
03	Title block revised, Drawing Name change.	Feb. 20, 2008	J.D.G.
04	Item No. 1 & 2, Part Number revised, Hose Fittings incorporated into Hose Assembly.	May. 11, 2015	B.D.G.



4	3	WSLM33	Label , Identification
3	1	AN824-4D	Tee
2	2	NAHA-4-24	Hose Assembly
1	1	NAHA-4-120	Hose Assembly
Item No.	Qty.	Part Number	Description



2955 DIAB
Montreal, Quebec
CANADA H4S 1M1

STATIC INPUT TEST HOSE ASSEMBLY

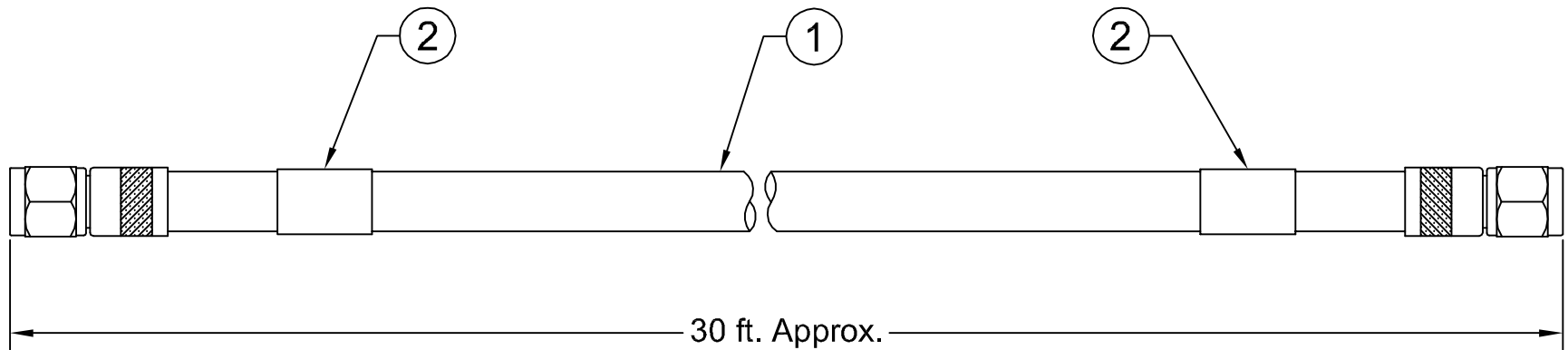
Size	CAGE Code	Checked By	Approved By	Date	Part Number	Rev. No.
A	38002	G.H.	J.D.G.	Sept. 1993	767-111	04

Note:

Last digits of Hose Assembly Part Number designates length of hose in inches.


PROPRIETARY DOCUMENT

Revision History			
Rev.	Description	Date	Approved By
01	Title block revised and redrawn.	April 18, 2005	J.D.G.
02	Title block revised and redrawn.	Feb. 22, 2006	J.D.G.
03	Item No. 1, Part Number revised and Hose Fittings incorporated into Hose Assembly.	May 28, 2015	B.D.G.



Notes:

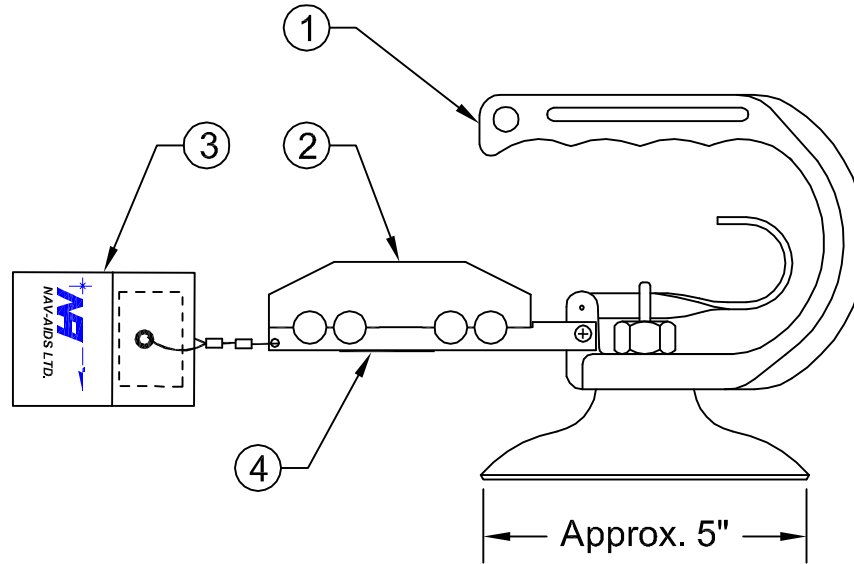
- Static Adaptor P/N. **33410LH-125-4** must be used with Alternate Static Hose Assembly P/N. **767-105**
- Last digits of Hose Assembly Part Number designates length of hose in inches.

2	2	WSLM33	Label , Identification			
1	1	NAHA-4-360	Hose Assembly			
Item No.	Qty.	Part Number	Description			
			2955 DIAB Montreal, Quebec CANADA H4S 1M1			
ALTERNATE STATIC TEST HOSE ASSEMBLY						
Size	CAGE Code	Checked By	Approved By	Date	Part Number	Rev. No.
A	38002	G.H.	J.D.G.	Sept., 1993	767-105	03

PROPRIETARY DOCUMENT



Revision History			
Rev.	Description	Date	Approved By
01	Title block revised and redrawn.	April 11, 2005	J.D.G.
02	Title block revised, new style of grip .	June 7, 2010	B.D.G.
03	Label, Identification listed on drawing.	May 16, 2012	B.D.G.



4	1	421-8971-92	Label, Identification
3	1	421-8971-3	Streamer Assembly
2	1	421-8971-2	Hose Retainer (Holds 4 hoses of size -4)
1	1	421-8971-1	5" Suction Cup Assembly
Item No.	Qty.	Part Number	Description

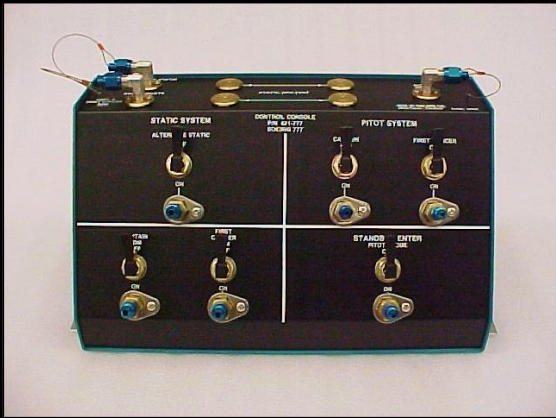


2955 DIAB
Montreal, Quebec
CANADA H4S 1M1

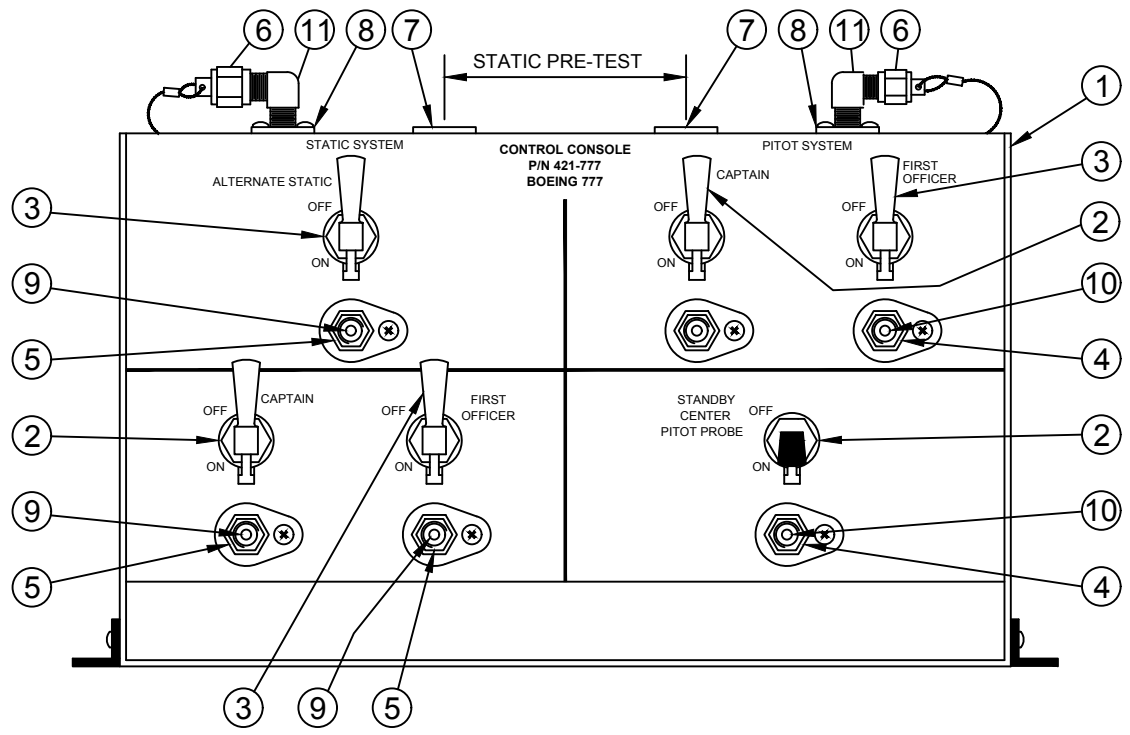
VACU-GRIP ASSEMBLY

Size	CAGE Code	Checked By	Approved By	Date	Part Number	Rev. No.
A	38002	G.H.	J.D.G.	Oct. 1989	421-8971	03

PROPRIETARY DOCUMENT




Revision History			
Rev.	Description	Date	Approved By
02	Item No. 11, Part Number revised.	Mar. 31, 2017	B.D.G.
03	Item No. 2, Part Number revised.	Nov. 11, 2019	B.D.G.



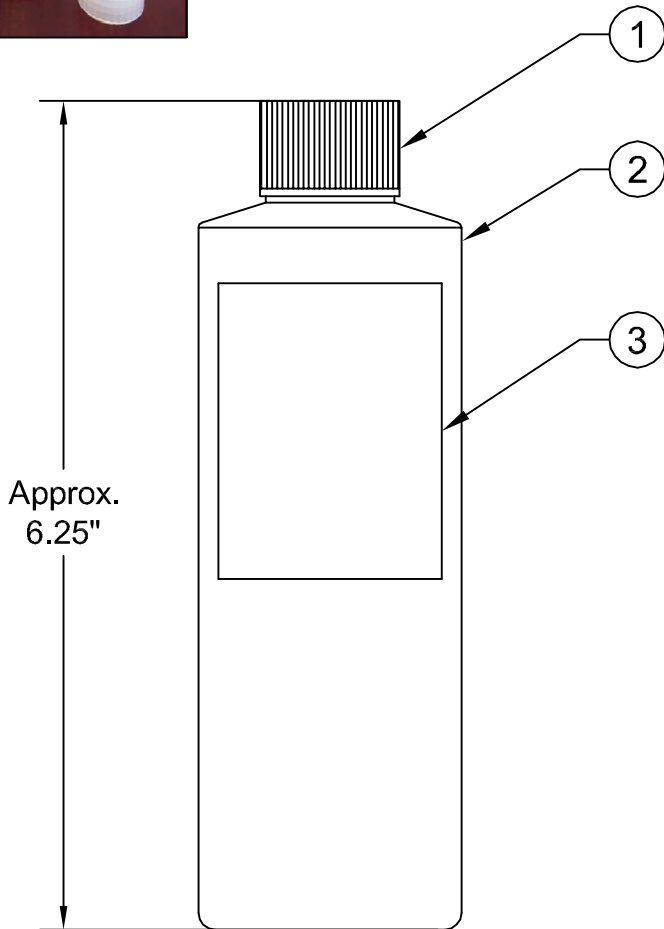
Notes:

- Selector Switch P/N: B-1GF2-A-777 includes P/N: B-400-2-2, P/N: B-400-3TMT & P/N: B-1GF2-A.
- Dimensions are in inches.

13	1	421-996	Expansion Tank (not shown)
12	-	TP - 44 - 1/4	Polyflex Tubing (not shown)
11	3	NAEF-4	Elbow (Inlet)
10	3	AN816-3D	Nipple (Outlet)
9	3	AN816-4D	Nipple (Outlet)
8	3	777-41	Plate Assembly
7	4	777-131	Pre-Test Adaptor Assembly
6	3	AN929-A4D	Blanking Cap Assembly
5	3	777-351	Socket
4	3	777-35	Socket
3	3	B-1GS4-A	Selector Switch
Item No.	Qty.	Part Number	Description

2	3	B-1GF2-A-777	Selector Switch
1	1	777-11	Console
Item No.	Qty.	Part Number	Description
			2955 DIAB Montreal, Quebec CANADA H4S 1M1
PITOT & STATIC SELECTOR CONSOLE			
Size	CAGE Code	Checked By	Approved By
A	38002	G.H.	J.D.G.
		Date	Part Number
		July 7, 2005	421-777
			Rev. No.
			03

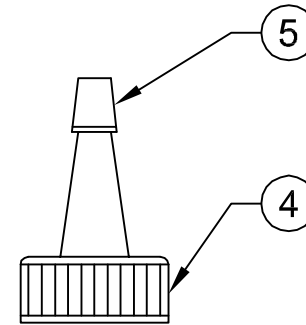
PROPRIETARY DOCUMENT



Note:
Dimensions are in inches.

Revision History

Rev.	Description	Date	Approved By
02	Photo added.	Aug. 25, 2004	J.D.G.
03	Item Name Corrected	Jan. 28, 2011	B.D.G.
04	Lubricating Fluid Label revised.	Dec. 20, 2017	B.D.G.



5	1	Cap
4	1	Distributing Cap
3	1	Label
2	1	8 oz. Bottle
1	1	Cap

Item No.	Qty.	Description
----------	------	-------------

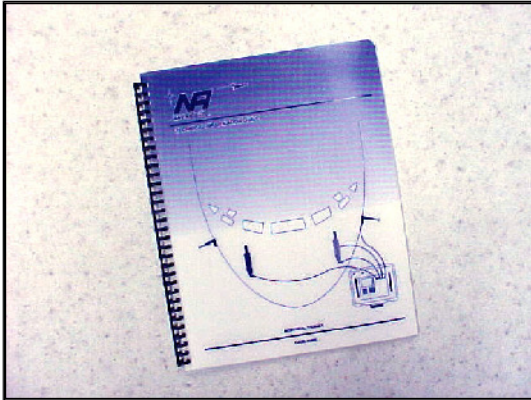


2955 DIAB
Montreal, Quebec
CANADA H4S 1M1

LUBRICATING FLUID
NSN: 9150-21-920-6522

Size	CAGE Code	Checked By	Approved By	Date	Part Number	Rev. No.
A	38002	G.H.	J.D.G.	Aug. 25, 2004	LF5050	04

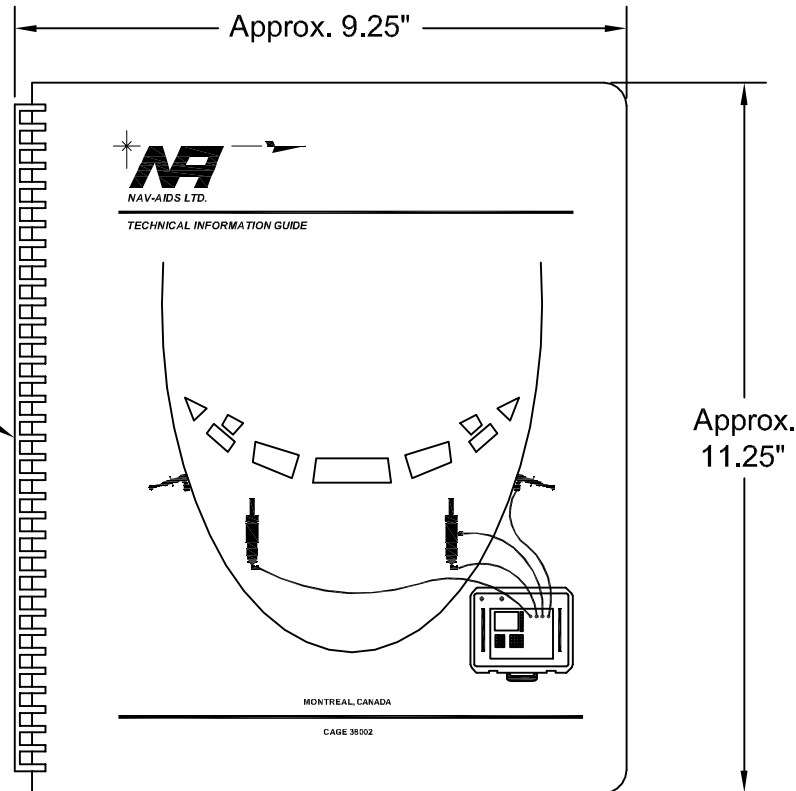
PROPRIETARY DOCUMENT



Revision History

Rev.	Description	Date	Approved By
01	Title Block revised, Drawing P/N change.	Feb. 22, 2008	J.D.G.
02	Part Numbers within Drawings revised.	Oct. 20, 2015	B.D.G.
03	Case Assembly changed to NANUK960.	Mar. 8, 2018	B.D.G.

Spiral Type Binding



2955 DIAB
Montreal, Quebec
CANADA H4S 1M1

MANUAL (INSTRUCTIONS AND PARTS LISTS)

Size	CAGE Code	Checked By	Approved By	Date	Part Number	Rev. No.
A	38002	G.H.	J.D.G.	June 12, 2006	444-777-612	03

Note:
Dimensions are in inches.